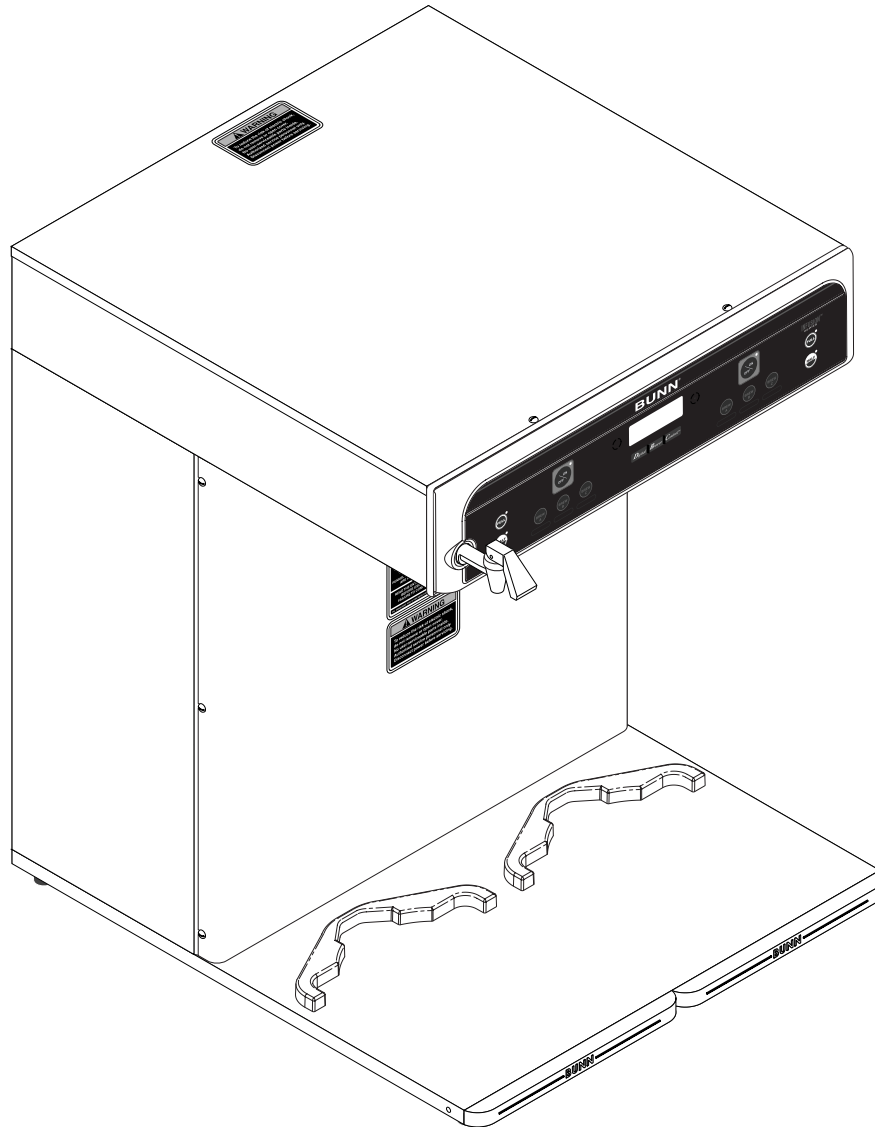


BUNN®

***ICB TWIN
Infusion Series™
with Smart Funnel®***



ILLUSTRATED PARTS CATALOG

Designs, materials, weights, specifications, and dimensions for equipment or replacement parts are subject to change without notice.

BUNN-O-MATIC CORPORATION

POST OFFICE BOX 3227

SPRINGFIELD, ILLINOIS 62708-3227

PHONE: (217) 529-6601 FAX: (217) 529-6644

BUNN-O-MATIC COMMERCIAL PRODUCT WARRANTY

Bunn-O-Matic Corp. ("BUNN") warrants equipment manufactured by it as follows:

- 1) All equipment other than as specified below: 2 years parts and 1 year labor.
- 2) Electronic circuit and/or control boards: parts and labor for 3 years.
- 3) Compressors on refrigeration equipment: 5 years parts and 1 year labor.
- 4) Grinding burrs on coffee grinding equipment to grind coffee to meet original factory screen sieve analysis: parts and labor for 3 years or 30,000 pounds of coffee, whichever comes first.

These warranty periods run from the date of installation. BUNN warrants that the equipment manufactured by it will be commercially free of defects in material and workmanship existing at the time of manufacture and appearing within the applicable warranty period. This warranty does not apply to any equipment, component or part that was not manufactured by BUNN or that, in BUNN's judgment, has been affected by misuse, neglect, alteration, improper installation or operation, improper maintenance or repair, damage or casualty. This warranty is conditioned on the Buyer 1) giving BUNN prompt notice of any claim to be made under this warranty by telephone at (217) 529-6601 or by writing to Post Office Box 3227, Springfield, Illinois 62708-3227; 2) if requested by BUNN, shipping the defective equipment prepaid to an authorized BUNN service location; and 3) receiving prior authorization from BUNN that the defective equipment is under warranty.

THE FOREGOING WARRANTY IS EXCLUSIVE AND IS IN LIEU OF ANY OTHER WARRANTY, WRITTEN OR ORAL, EXPRESS OR IMPLIED, INCLUDING, BUT NOT LIMITED TO, ANY IMPLIED WARRANTY OF EITHER MERCHANTABILITY OR FITNESS FOR A PARTICULAR PURPOSE. The agents, dealers or employees of BUNN are not authorized to make modifications to this warranty or to make additional warranties that are binding on BUNN. Accordingly, statements by such individuals, whether oral or written, do not constitute warranties and should not be relied upon.

If BUNN determines in its sole discretion that the equipment does not conform to the warranty, BUNN, at its exclusive option while the equipment is under warranty, shall either 1) provide at no charge replacement parts and/or labor (during the applicable parts and labor warranty periods specified above) to repair the defective components, provided that this repair is done by a BUNN Authorized Service Representative; or 2) shall replace the equipment or refund the purchase price for the equipment.

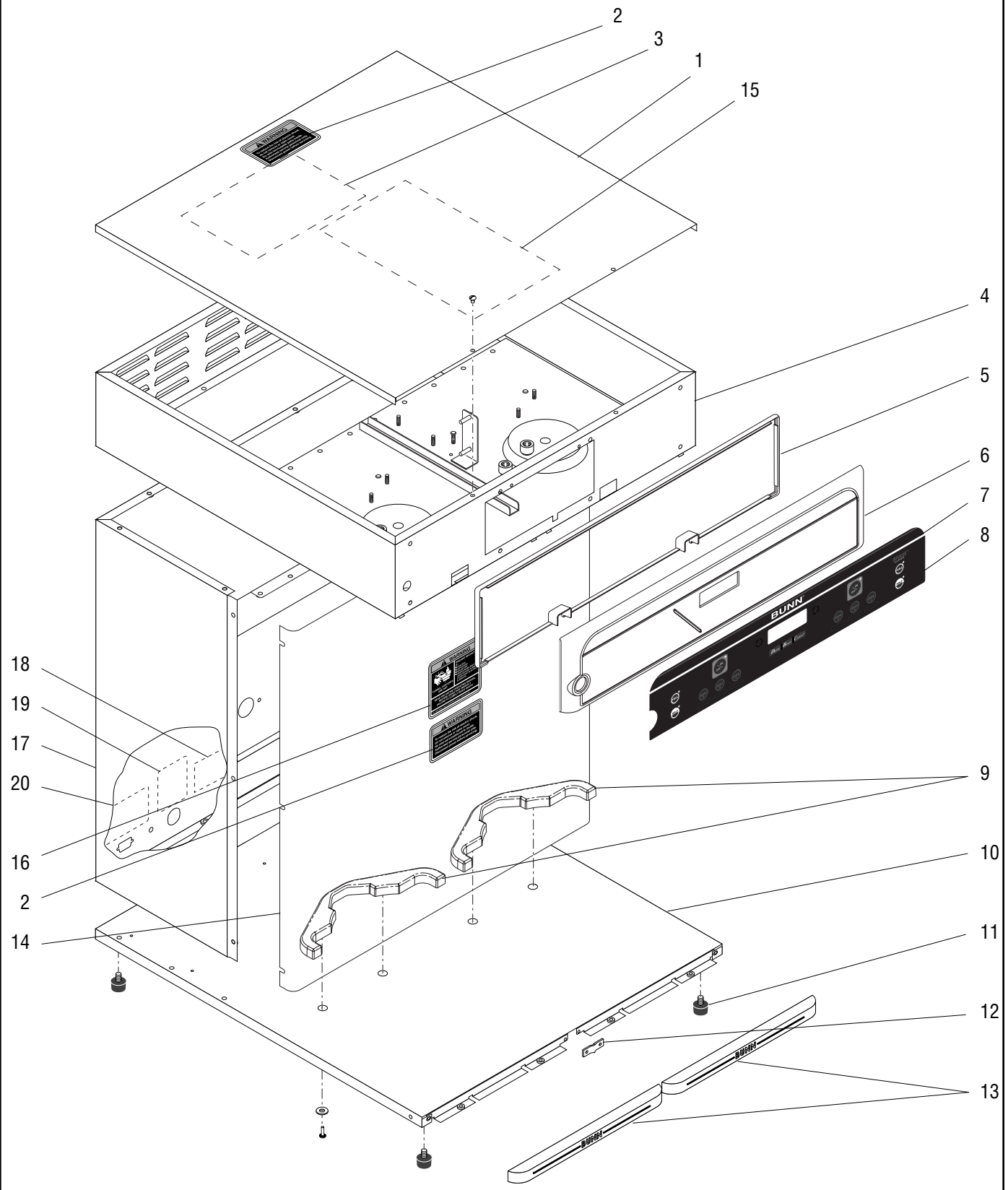
THE BUYER'S REMEDY AGAINST BUNN FOR THE BREACH OF ANY OBLIGATION ARISING OUT OF THE SALE OF THIS EQUIPMENT, WHETHER DERIVED FROM WARRANTY OR OTHERWISE, SHALL BE LIMITED, AT BUNN'S SOLE OPTION AS SPECIFIED HEREIN, TO REPAIR, REPLACEMENT OR REFUND.

In no event shall BUNN be liable for any other damage or loss, including, but not limited to, lost profits, lost sales, loss of use of equipment, claims of Buyer's customers, cost of capital, cost of down time, cost of substitute equipment, facilities or services, or any other special, incidental or consequential damages.

BUNN, Infusion Series, ICB TWIN, Smart Funnel, BUNNLink, are either trademarks or registered trademarks of Bunn-O-Matic Corporation.

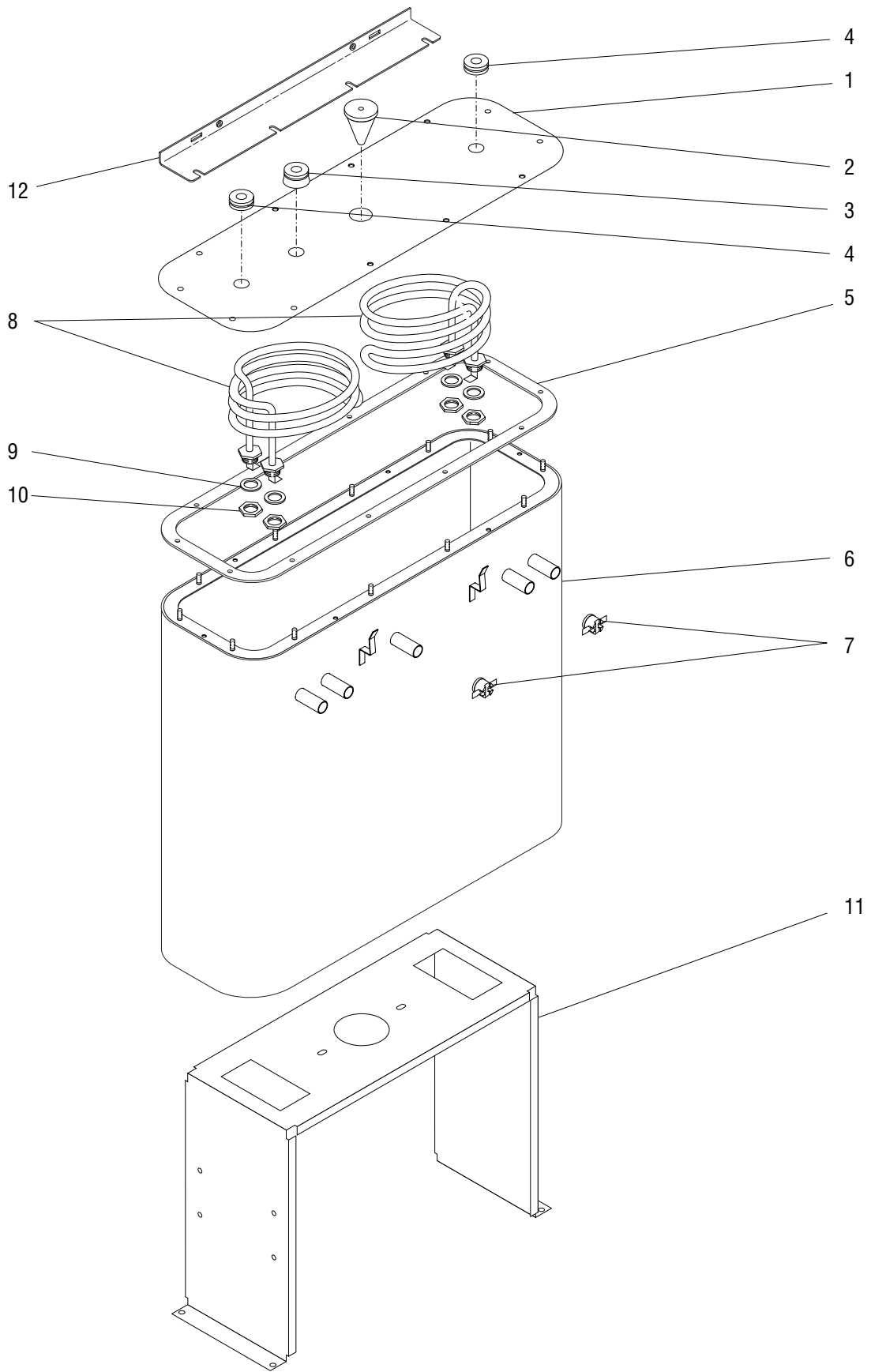
TABLE OF CONTENTS

Dispense Valve, Bypass Valve & Sprayhead.....	8
Electrical & Operating Controls	16
Faucet & Lines	10
Funnels	20
Housing, Trunk, Base and Panels.....	4
Numerical Index.....	22
Tank and Components	6
Water Inlet, Tank Drain & Vent Lines.....	12



HOUSING, TRUNK, BASE AND PANELS

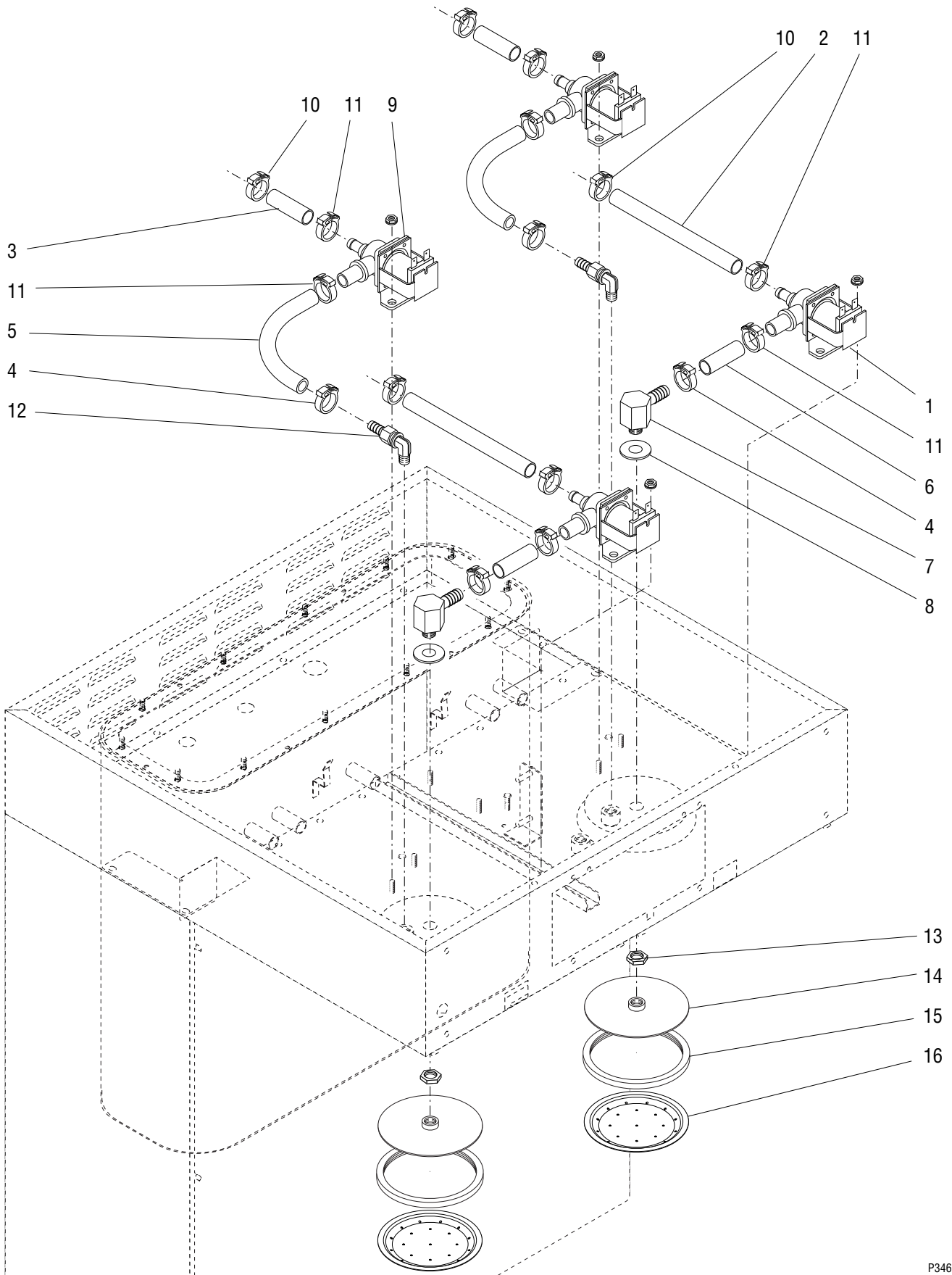
ITEM	PART NO.	QTY.	DESCRIPTION	
1	37870.1000	1	Cover, Top (Includes items 2,3 & 15)	
	01308.0000	2	Screw, Truss Head #6-32 x .25"	
2	37881.0000	2	Decal, No Serviceable Parts	
3	25151.0000	1	Shield, Insulator	
4	37920.0000	1	Hood	
	02308.0000	20	Screw, Pan Head #8-32 x .38"	
5	37874.0000	1	Gasket	
6	37827.1001	1	Bezel, Control Panel (Includes items 7 & 8)	
	02308.0000	8	Screw, Pan Head #8-32 x .38"	
7	37877.0000	1	Decal, Top	
8	-----	1	Membrane Switch (See ELECTRICAL & OPERATING CONTROLS)	
9	37274.0001	2	Server Stop	
	02308.0000	4	Screw, Pan Head #8-32 x .38"	
	01503.0000	4	Washer	
10	37866.0000	1	Base	
11	25137.0001	6	Foot	
12	37926.0000	1	Spacer	
13	36361.0000	2	Trim, Base Cover	
	01308.0002	4	Screw, Truss Head, Locking #6-32 x .25"	
	02332.0005	4	Screw, Hex #6 x .38"	
14	37865.1000	1	Panel, Front (Includes items 2 & 16)	
	01311.0001	6	Screw, Truss Head, Locking #8-32 x .25"	
15	37299.0001	1	Electrical Schematic	
16	00658.0000	1	Decal, Warning - Decanter/Funnel	
17	37951.1000	1	Trunk W/Decals (120/240V models) (Includes items 18-20)] Models with first type Water Inlet Valve
	37951.1001	1	Trunk W/Decals (120/208V models) (Includes items 18-20)	
	37951.1002	1	Trunk W/Decals (120/240V models) (Includes items 18-20)] Models with second type Water Inlet Valve
	37951.1003	1	Trunk W/Decals (120/208V models) (Includes items 18-20)	
	02308.0000	10	Screw, Pan Head #8-32 x .38"	
18	00656.0000	1	Decal, Comply to Plumbing Code	
19	00986.0000	1	Decal, Warning - Electrical	
20	38125.0000	1	Decal, Warning - Plug (120/240V models)	
	38125.0001	1	Decal, Warning - Plug (120/208V models)	



TANK & COMPONENTS

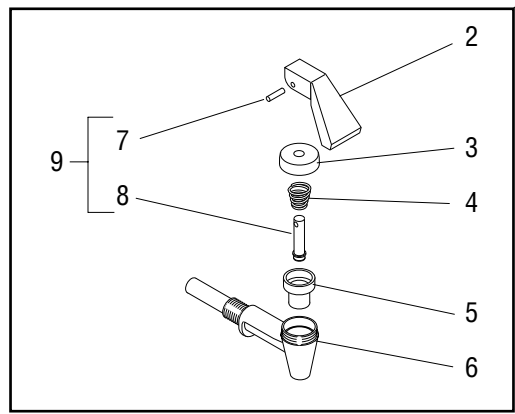
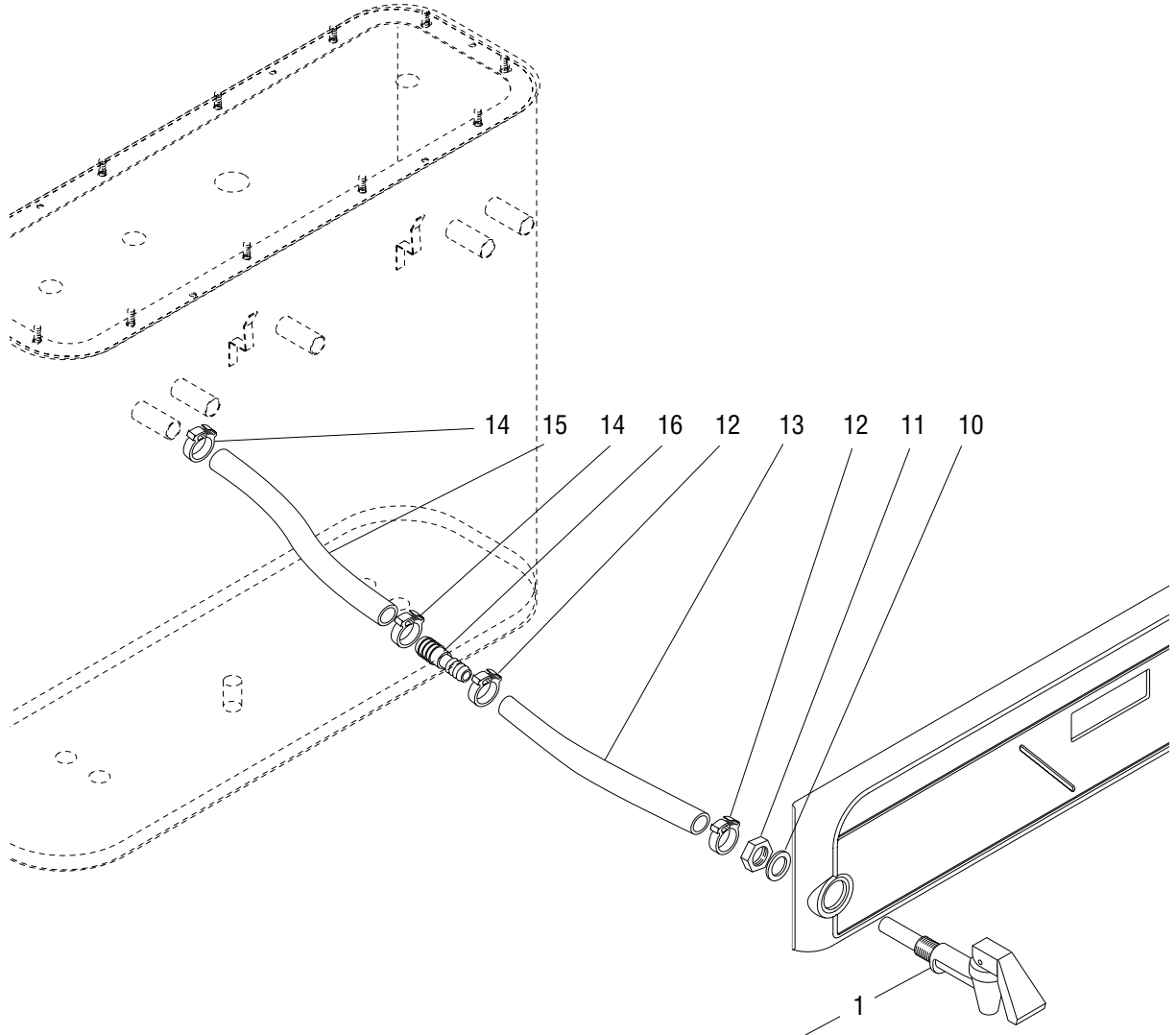
ITEM	PART NO.	QTY.	DESCRIPTION
-	37755.0000*	1	Tank Assy (Includes items 1 thru 10)
	37755.0001*	1	Tank Assy (Includes items 1 thru 10)
1	37776.0000	1	Lid
	00908.0000	12	Nut, Hex #8-32
2	33801.0001	1	Grommet, Temp. Sensor
3	38114.0000	1	Grommet, Liquid Level Probe
4	02536.0000	2	Grommet
5	35937.0000	1	Gasket
6	37782.0001	1	Tank
7	29329.0001	2	Limit Thermostat
8	29485.1002	2	Tank Heater 3000W, 240V (Includes item 9)
	29485.1003	2	Tank Heater 3000W, 208V (Includes item 9)
9	00943.0000	4	Gasket
10	00942.0000	4	Nut, Hex .50"-20
11	37953.0000	1	Bracket, Tank Support (Lower)
	02308.0000	4	Screw, Pan Head #8-32 x .38"
12	37967.0000	1	Bracket, Tank Support (Upper)
	01308.0002	2	Screw, Truss Head #6-32 x .25"

* Indicates the part number listed is for reference only. See DESCRIPTION for possible service replacement.



DISPENSE VALVE, BYPASS VALVE & SPRAYHEAD

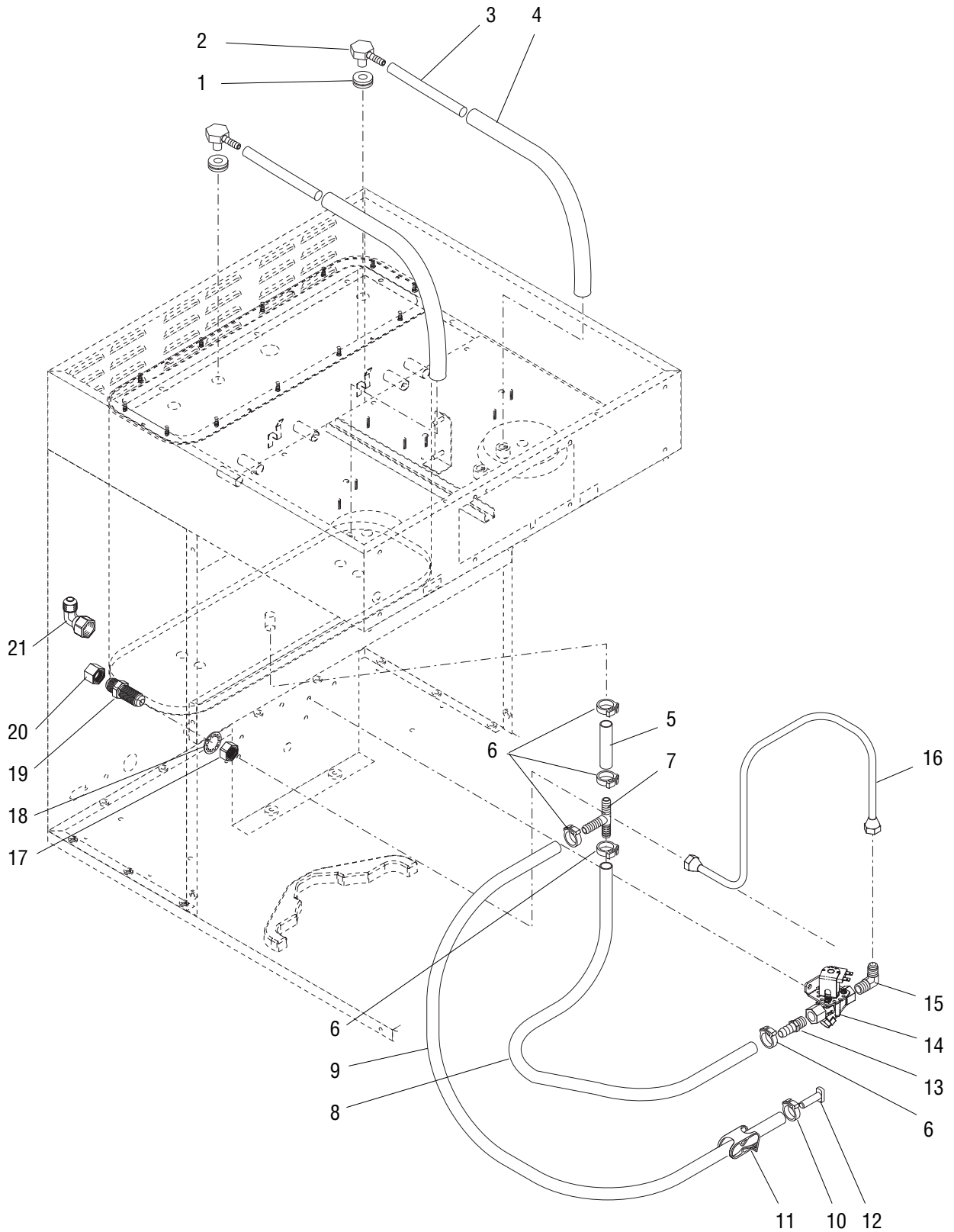
ITEM	PART NO.	QTY.	DESCRIPTION
1	27370.0003	2	Valve, Dispense
	00970.0000	4	Nut, KEPS #8-32
2	32591.0016*	1	Tube .50"ID x 9.0" (Left side) (Order item 18)
	32591.0017*	1	Tube .50"ID x 9.75" (Right side) (Order item 18)
3	32591.0002*	2	Tube .50"ID x 6.0" (Order item 18)
4	12422.0001	4	Clamp, Hose-Snap Type .59-.66"ID
5	20976.0006*	2	Tube .375"ID x 4.5" (Order item 17)
6	20976.0062*	2	Tube .375"ID x 1.75" (Order item 17)
7	28747.0000	2	Fitting, Sprayhead
8	00943.0000	2	Gasket, Sprayhead Fitting
9	27370.0000	2	Valve, Bypass
	00970.0000	4	Nut, KEPS #8-32
10	12422.0009	4	Clamp, Hose-Snap Type .71 -.80"ID (at Tank)
11	12422.0005	8	Clamp, Hose-Snap Type .62 -.71"ID (at Valve)
12	32648.0000	2	Fitting
13	01075.0000	2	Nut, Hex .438"-20
14	35070.0000	2	Back, Sprayhead
15	34868.0000	2	Seal
16	34867.0003	2	Sprayhead, 17 hole
17	20976.1000	-	Tube .375"ID x 12.0" (Use as required)
	20976.1001	-	Tube .375"ID x 36.0" (Use as required)
	20976.1002	-	Tube .375"ID x 120.0" (Use as required)
18	32591.1001	-	Tube .50"ID x 12.0" (Use as required)
19	11517.0008	-	Repair Kit, Dispense Valve (Includes Plunger, Spring and Diaphragm)



FAUCET & LINES

ITEM	PART NO.	QTY.	DESCRIPTION
1	29075.0001	1	Faucet Assy(Includes items 2 thru 8)
2	02861.0003	1	Handle, Red w/Warning
3	02854.0000	1	Bonnet
4	02595.0000	1	Spring
5	02766.0000	1	Cup
6	-----	1	Body (Order item 1)
7	02858.0000	1	Pin, Spring
8	13054.0000	1	Stem
9	02594.0000	1	Faucet Stem w/Pin (Includes items 7 and 8)
10	01544.0000	1	Washer, .50" ID x .75" OD
11	29264.0000	1	Nut
12	12422.0001	2	Clamp, Hose-Snap Type .59-.66"ID
13	20976.0055*	1	Tube .375" ID x 9.0" (Order item 17)
14	12422.0009	2	Clamp, Hose-Snap Type .71 -.80"ID
15	32591.0002*	1	Tube .50"ID x 6.0" (Order item 18)
16	36099.0000	1	Reducer .50" x .375"
17	20976.1000	-	Tube .375"ID x 12.0" (Use as required)
	20976.1001	-	Tube .375"ID x 36.0" (Use as required)
	20976.1002	-	Tube .375"ID x 120.0" (Use as required)
18	32591.1001	-	Tube .50"ID x 12.0" (Use as required)

* Indicates the part number listed is for reference only. See DESCRIPTION for possible service replacement.



FIRST TYPE INLET VALVE

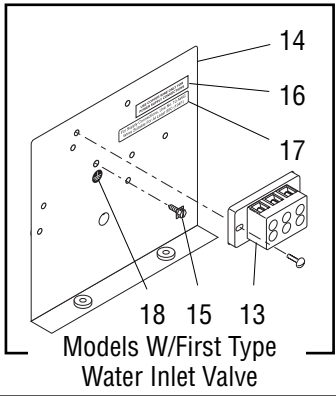
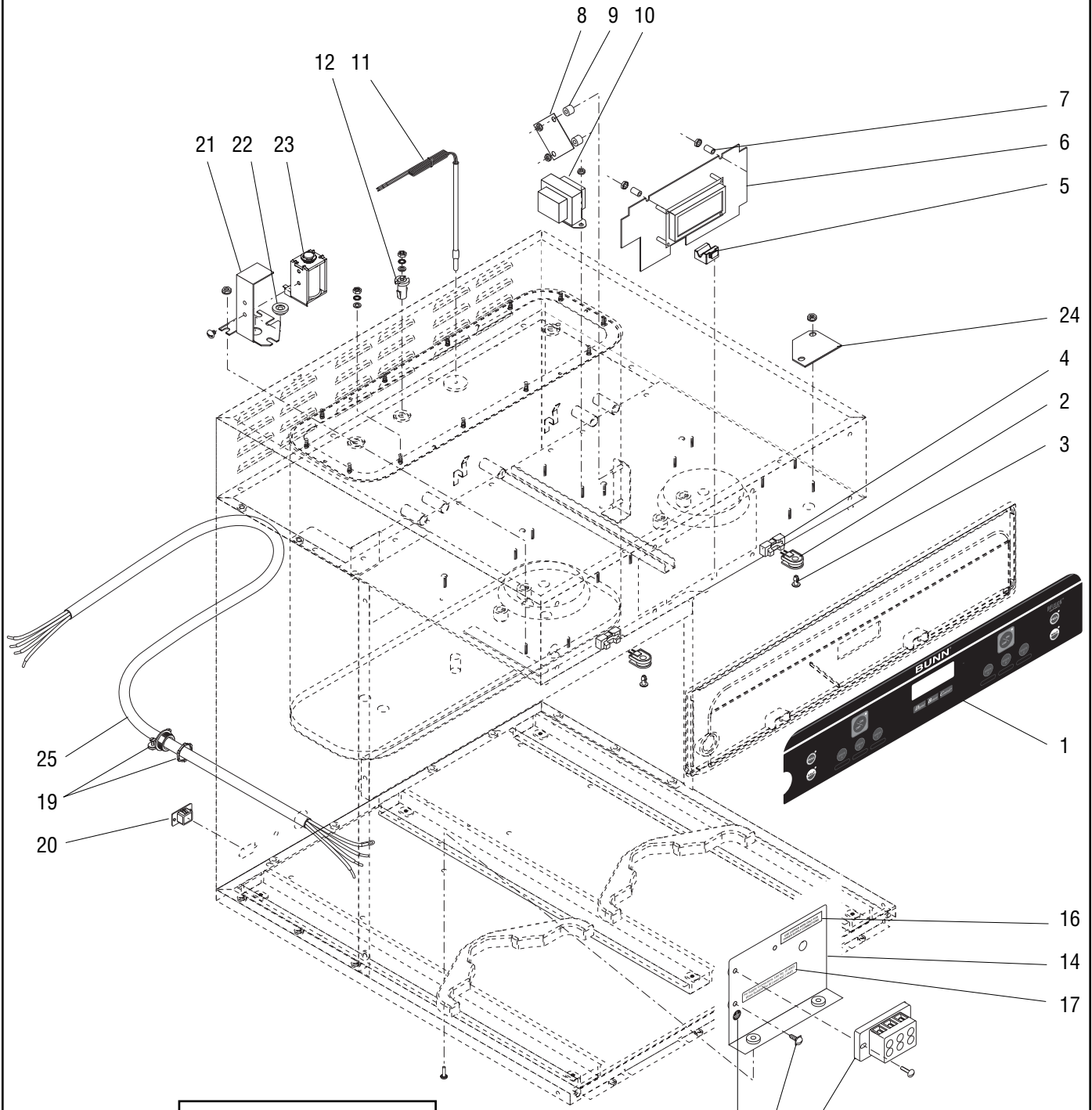
P3468.50

WATER INLET, TANK DRAIN & VENT LINE

ITEM	PART NO.	QTY.	DESCRIPTION
1	02536.0000	2	Grommet
2	28737.0000	2	Fitting, Air Vent
3	11707.0034*	2	Tube, Silicone .25" ID x 4.3" (order item 22)
4	32591.0001*	1	Tube, Silicone .50" ID x 12.0" (order item 23)
5	20976.0062*	1	Tube, Silicone .375" ID x 1.75" (order item 24)
6	12422.0001	5	Clamp, Hose-Snap Type .59" - .66" ID
7	06866.0001	1	Tee .38" Barb
8	20976.0075*	1	Tube, Silicone .375" ID x 12.5" (order item 24)
9	28526.0009*	1	Tube, Silicone .313" ID x 24.0" (order item 25)
10	12422.0006	1	Clamp, Hose-Snap Type .53" - .59" ID
11	11630.0001	1	Clamp
12	32098.0000	1	Plug
13	24376.0001	1	Fitting .38" Barb x .38" MPT
14	35094.0001	1	Valve, Water Inlet
	01315.0000	2	Screw, Truss Head #8-32 x .38"
15	34768.0001	1	Elbow .38" Fl x .38" NPT
16	37421.0001	1	Tube
17	12757.0000	1	Nut, Hex .625-18
18	01514.0000	1	Lockwasher, Internal Tooth .625"
19	12756.0000	1	Fitting, Bulkhead .38" Fl x .625"-18
20	00976.0000	1	Cap Nut .38" Fl
21	37761.0000	1	Elbow, 90° Swivel (Optional)
22	11707.1000	-	Tube, Silicone .25" ID x 12.0" (Use as required)
	11707.1001	-	Tube, Silicone .25" ID x 36.0" (Use as required)
	11707.1002	-	Tube, Silicone .25" ID x 120.0" (Use as required)
23	32591.1001	-	Tube, Silicone .50" ID x 12.0" (Use as required)
24	20976.1000	-	Tube, Silicone .375" ID x 12.0" (Use as required)
	20976.1001	-	Tube, Silicone .375" ID x 36.0" (Use as required)
	20976.1002	-	Tube, Silicone .375" ID x 120.0" (Use as required)
25	28526.1001	-	Tube, Silicone .313" ID x 36.0" (Use as required)
	28526.1002	-	Tube, Silicone .313" ID x 60.0" (Use as required)

WATER INLET, TANK DRAIN & VENT LINE

ITEM	PART NO.	QTY.	DESCRIPTION
1	02536.0000	2	Grommet
2	28737.0000	2	Fitting, Air Vent
3	11707.0034*	2	Tube, Silicone .25" ID x 4.3" (order item 16)
4	32591.0001*	1	Tube, Silicone .50" ID x 12.0" (order item 17)
5	20976.0042*	1	Tube, Silicone .375" ID x 4.00" (order item 18)
6	12422.0001	5	Clamp, Hose-Snap Type .59" - .66" ID
7	06866.0000	1	Tee .38" Barb
8	20976.0004*	1	Tube, Silicone .375" ID x 8.5" (order item 18)
9	28526.0009*	1	Tube, Silicone .313" ID x 24.0" (order item 19)
10	12422.0006	1	Clamp, Hose-Snap Type .53" - .59" ID
11	11630.0001	1	Clamp
12	32098.0000	1	Plug
13	36233.0000	1	Valve, Water Inlet
	32283.0000	2	Screw, Pan Head M4 x 6MM
14	00930.0000	1	Cap, Hose .75" Female Thread (For shipping only)
15	37297.0001	1	Elbow, 90° .38" Flare x .75" Female Thread (Optional)
16	11707.1000	-	Tube, Silicone .25" ID x 12.0" (Use as required)
	11707.1001	-	Tube, Silicone .25" ID x 36.0" (Use as required)
	11707.1002	-	Tube, Silicone .25" ID x 120.0" (Use as required)
17	32591.1001	-	Tube, Silicone .50" ID x 12.0" (Use as required)
18	20976.1000	-	Tube, Silicone .375" ID x 12.0" (Use as required)
	20976.1001	-	Tube, Silicone .375" ID x 36.0" (Use as required)
	20976.1002	-	Tube, Silicone .375" ID x 120.0" (Use as required)
19	28526.1001	-	Tube, Silicone .313" ID x 36.0" (Use as required)
	28526.1002	-	Tube, Silicone .313" ID x 60.0" (Use as required)

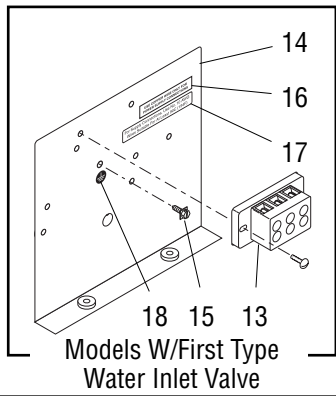
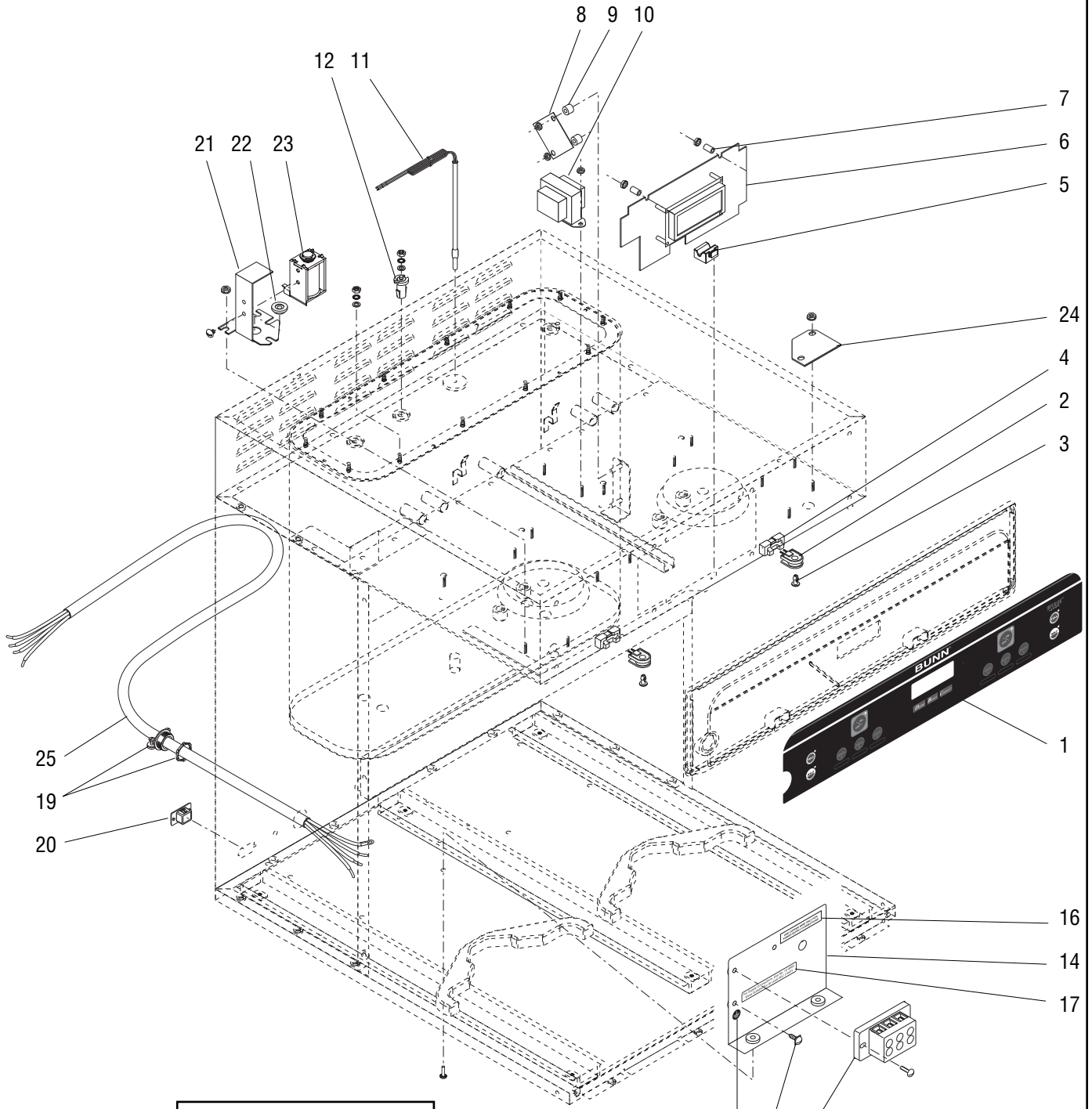


ELECTRICAL & OPERATING CONTROLS

ITEM	PART NO.	QTY.	DESCRIPTION
1	37875.0000	1	Membrane Switch
2	32572.1000	2	Sensing Coil
3	35956.0000	2	Fastener
4	36587.0000	2	Plug
5	36366.0000	1	Mount
6	37789.1000*	1	Control Board
	00973.0000	2	Nut, Keps #6-32
7	01533.0011	2	Spacer
8	36449.1000	1	Memory Circuit Board
	00970.0000	2	Nut, Keps #8-32
9	01533.0002	2	Spacer
10	34307.1001	1	Transformer
	00970.0000	2	Nut, Keps #8-32
11	28891.1002	1	Probe Kit, Temperature and Dry Plug
12	07412.1002	1	Probe, Liquid Level
	01501.0000	1	Washer
	20203.0100	1	Lockwasher, Internal-tooth #8
	00908.0000	1	Nut, Hex #8-32
	01511.0000	1	Lockwasher, External-tooth #8
	00908.0000	1	Nut, Hex #8-32
			} For ground wire at tank
13	07038.0000	1	Terminal Block
	01317.0000	2	Screw, Truss Head #8-32 x .50"
14	36420.1002	1	Bracket W/Decals (Includes items 15-18) (Models w/first type Water Inlet Valve)
	38344.1001	1	Bracket W/Decals (Includes items 15-18) (Models w/second type Water Inlet Valve)
	02308.0000	2	Screw, Pan Head #8-32 x .38"
15	01309.0000	1	Screw, Grounding #10-31 x .50" (Brewers prior to July 5, 2005)
	37804.0000	1	Screw, Grounding #8-32 x .50" (Brewers July 5, 2005 and after)
16	00870.0000*	1	Decal, Use Copper Wire Only
17	12394.0001*	1	Decal, Supply Connection
18	00824.0000*	1	Decal, Ground
19	01590.0000	1	Cord Connector
20	36398.0000	1	Hole Plug
21	38280.0000	2	Bracket, Solenoid
	00970.0000	4	Nut, Keps #8-32
22	35953.0000	2	Guide, Pin
23	35955.0000	2	Coil, Solenoid
	33613.0000	4	Screw, Truss Head #8-32 x .25"
	01519.0000	4	Lockwasher, Split #8
			} Models with Funnel Locks

(continued)

* Indicates the part number listed is for reference only. See DESCRIPTION for possible service replacement.

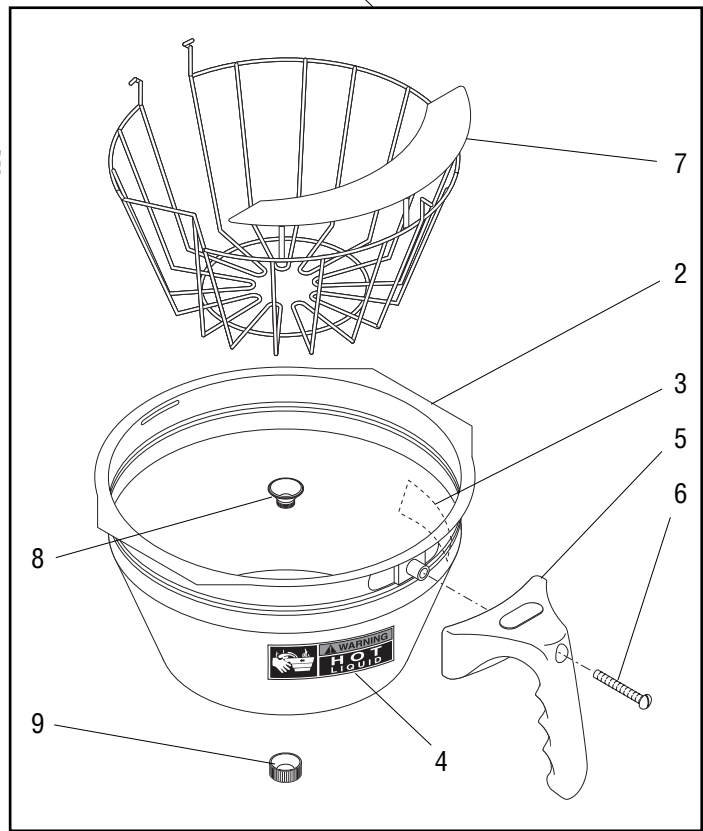
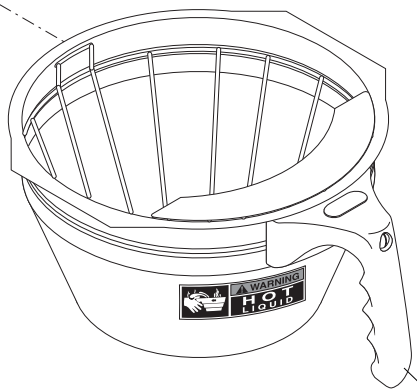
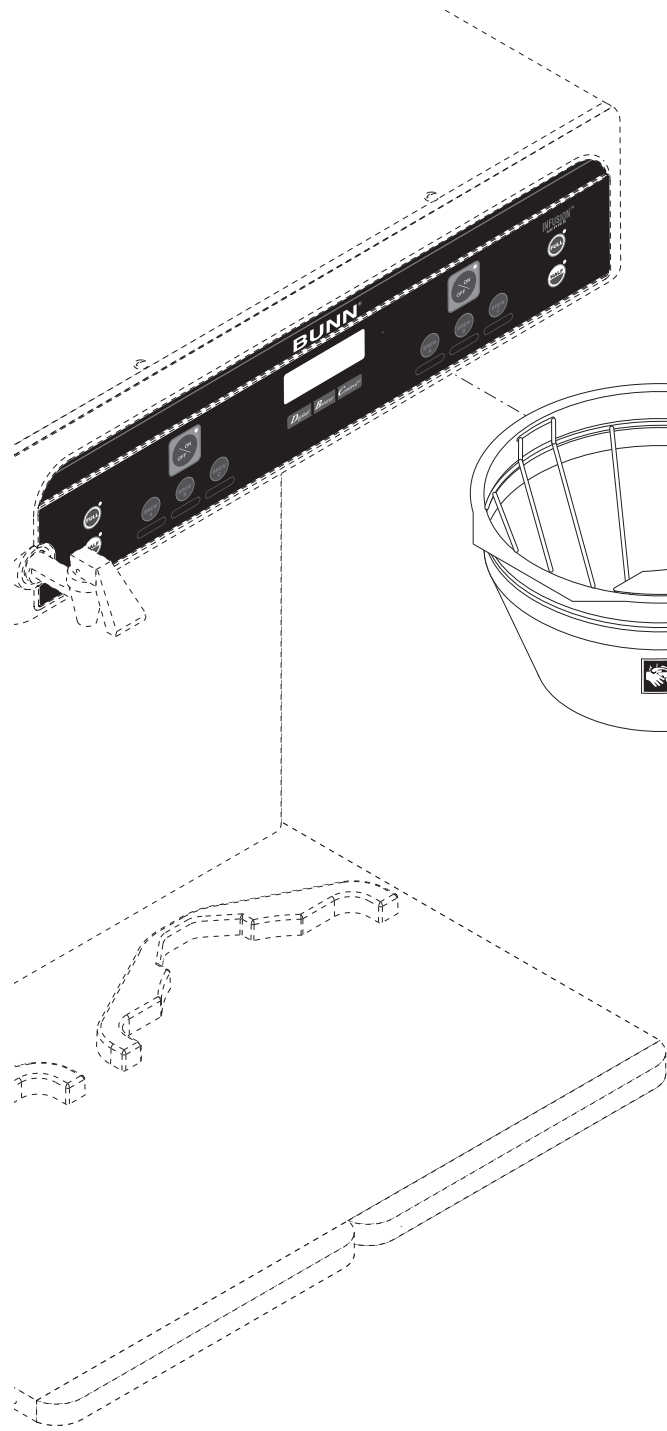


ELECTRICAL & OPERATING CONTROLS

ITEM	PART NO.	QTY.	DESCRIPTION
24	32649.0001	2	Cover, Funnel Lock
	00970.0000	4	Nut, Keps #8-32
			} Models without Funnel Locks
25	32657.0001	1	Power Cord, 10/4 W/O Plug

Note: The following items are not illustrated

26	38040.0000	1	Wiring Harness, Main
27	37494.0001	1	Wiring Harness, liquid Level
28	36676.0001	1	Wiring Harness, Memory Board
29	36675.0000	1	Wiring Harness, Sensing Coil (Left)
	36675.0001	1	Wiring Harness, Sensing Coil (Right)



P3470.75

FUNNELS

ITEM	PART NO.	QTY.	DESCRIPTION
1	32643.0000	2	Funnel Assy, SST (Each includes Items 2 thru 9)
2	24462.0002	1	Funnel W/Decals (Includes items 3 & 4)
3	03408.0004	1	Decal, Caution-Remove Funnel
4	03409.0004	1	Decal, Caution-Hot Liquid
5	32595.0000	1	Handle Assy, Funnel-Black (Includes item 6)
6	12499.0002	1	Screw, Round Head .BLK 25" - 20 x 1.50"
7	33089.0000	1	Filter Basket w/Splash Guard
8	32139.0000	1	Insert, Funnel Tip - Male (Refer to item 10)
9	32140.0000	1	Insert, Funnel Tip - Female (Refer to item 10)
10	01031.0001	-	Funnel Tip Kit (Includes items 8 & 9)

NUMERICAL INDEX

PART NO.	PAGE NO.	PART NO.	PAGE NO.	PART NO.	PAGE NO.	PART NO.	PAGE NO.
00656.0000	5	12756.0000	13	35955.0000	17		
00658.0000	5	12757.0000	13	35956.0000	17		
00824.0000	17	13054.0000	11	36099.0000	11		
00870.0000	17	20203.0100	17	36233.0000	15		
00908.0000	7,17	20976.0004	15	36361.0000	5		
00930.0000	15	20976.0006	9	36366.0000	17		
00942.0000	7	20976.0042	15	36398.0000	17		
00943.0000	7,9	20976.0055	11	36420.1002	17		
00970.0000	9,17,19	20976.0062	9,13	36449.1000	17		
00973.0000	17	20976.0075	13	36587.0000	17		
00976.0000	13	20976.1000	9,11,13,15	36675.0000	19		
00986.0000	5	20976.1001	9,11,13,15	36675.0001	19		
01031.0001	21	20976.1002	9,11,13,15	36676.0001	19		
01075.0000	9	24376.0001	13	37274.0001	5		
01308.0000	5	24462.0002	21	37297.0001	15		
01308.0002	5,7	25137.0001	5	37299.0001	5		
01309.0000	17	25151.0000	5	37421.0001	13		
01311.0001	5	27370.0000	9	37494.0001	19		
01315.0000	13,15	27370.0003	9	37755.0000	7		
01317.0000	17	28526.0009	13,15	37755.0001	7		
01501.0000	17	28526.1001	13,15	37761.0000	13		
01503.0000	5	28526.1002	13,15	37776.0000	7		
01511.0000	17	28737.0000	13,15	37782.0001	7		
01514.0000	13	28747.0000	9	37789.1000	17		
01519.0000	17	28891.1002	17	37804.0000	17		
01533.0002	17	29075.0001	11	37827.1001	5		
01533.0011	17	29264.0000	11	37865.1000	5		
01544.0000	11	29329.0001	7	37866.0000	5		
01590.0000	17	29485.1002	7	37870.1000	5		
02308.0000	5,7,17	29485.1003	7	37874.0000	5		
02332.0005	5	32098.0000	13,15	37875.0000	15		
02536.0000	7,13,15	32139.0000	21	37877.0000	5		
02594.0000	11	32140.0000	21	37881.0000	5		
02595.0000	11	32283.0000	15	37920.0000	5		
02766.0000	11	32572.1000	17	37926.0000	5		
02854.0000	11	32591.0001	13,15	37951.1000	5		
02858.0000	11	32591.0002	9,11	37951.1001	5		
02861.0003	11	32591.0016	9	37953.0000	7		
03408.0004	21	32591.0017	9	37967.0000	7		
03409.0004	21	32591.1001	9,11,13,15	38040.0000	19		
06866.0000	15	32595.0000	21	38114.0000	7		
06866.0001	13	32643.0000	21	38125.0000	5		
07038.0000	17	32648.0000	9	38125.0001	5		
07412.1002	17	32649.0001	19	38280.0000	17		
11517.0008	9	32657.0001	19	38344.1001	17		
11630.0001	13,15	33089.0000	21				
11707.0034	13,15	33613.0000	17				
11707.1000	13,15	33801.0001	7				
11707.1001	13,15	34307.1001	17				
11707.1002	13,15	34768.0001	13				
12394.0001	17	34867.0003	9				
12422.0001	9,11,13,15	34868.0000	9				
12422.0005	9	35070.0000	9				
12422.0006	13,15	35094.0001	13				
12422.0009	9,11	35937.0000	7				
12499.0002	21	35953.0000	17				