

## 1 Gallon Automatic Coffee Brewer with Portable Server

ITEM#

PROJECT

DATE



### Single CWTF with 1.5 GPR

Dimensions: 26.1"H x 8.5"W x 18.9"D  
(66.3cm H x 21.6cm W x 48cm D)

### Features

#### One Gallon Automatic Coffee Brewer

- Brews 3.8 to 9 gallons (14.4 to 34.1 litres) of perfect coffee per hour.
- 1/2 gallon and 1 gallon (1.9 and 3.8 litres) batches brewed into 1.5 GPR portable server (server included).
- Gourmet funnel allows use of heavier throw weights of coffee.
- Hot water faucet.
- 1/2 gallon (1.9 litres) pourover backup on all models.
- SplashGard® funnel deflects hot liquids away from the hand.
- All stainless steel construction.

For current specification sheets and other information, go to [www.bunn.com](http://www.bunn.com).

### Related Products

#### Easy Clear® EQ-17-TL

Product No. : 30200.1000

Dimensions:

12<sup>7</sup>/<sub>16</sub>" H x 2<sup>1</sup>/<sub>2</sub>" W x 3" D  
31.6 cm H x 6.35 cm W x 7.62 cm D



#### Gourmet Filter Pack

Product No. : 20157.0000

Packed per case: 500



#### 1.5 GPR SS Portable Server on an RWS1 Warmer

1GPR Product No. : 20950.0004

RWS1 Product No. : 12203.0010

*\*Also available with side handles or black decor.*



#### Easy Clear® ED-17-TL

Product No. : 30201.1001

Dimensions: 8<sup>1</sup>/<sub>4</sub>" H x 2<sup>5</sup>/<sub>16</sub>" Dia.  
20.95 cm H x 5.87 cm Dia.

#### Model

#### Agency Listing

Single CWTF15



Single CWTF35



## Dimensions & Specifications

Model	Product #	Volts	Amps	Tank Heater Watts	Total Watts	Brewing Capacity	Cubic Measure	Shipping Weight	Cord Attached
Single CWTF15	35000.0004	120	13.8	1500	1650	3.8 gal/hr	6.0 ft <sup>3</sup>	46.5 lb.	Yes
Single CWTF35	35000.0006	120/208-240	15.8*	3500	3650	7.5/9.0 gal/hr	6.0 ft <sup>3</sup>	46.5 lb.	No

\*Current at 120/240 Volts

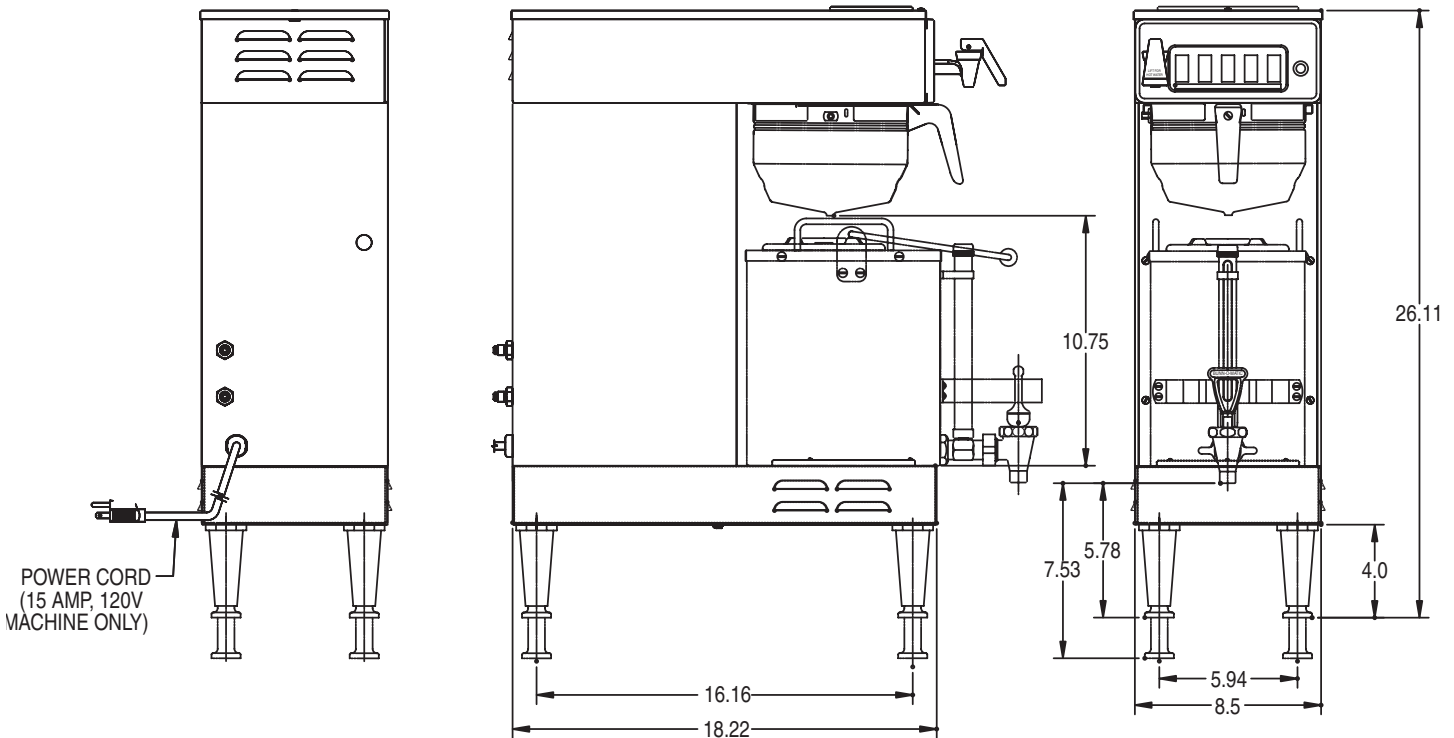
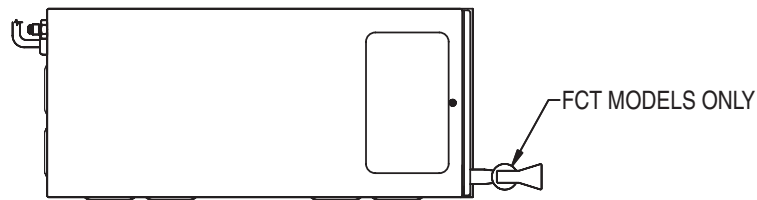
**Brewing capacity:** based upon incoming water temp of 60°F/15°C (140°F/60°C rise) per 1/2 gallon brew time of 4 minutes.

Models listed as 120/208V or 120/240V must be connected to 208V or 240V electrical service respectively. Please refer to the installation manual.

Electrical: 120 volt model requires 2-wires plus ground service rated 120V, single phase.

240 volt model requires 3-wires plus ground service rated 120/208 or 120/240V, single phase, 60 Hz.

Plumbing: 20-90 psi (138-621 kPa). Machine supplied with 1/4" male flare fitting.



Bunn-O-Matic® Corporation - 1400 Stevenson Drive Springfield, Illinois 62703 • 800-637-8606 • 217-529-6601 • Fax 217-529-6644 • www.bunn.com

BUNN® practices continuous product research and improvement. We reserve the right to change specifications and product design without notice. Such revisions do not entitle the buyer to corresponding changes, improvements, additions or replacements for previously purchased equipment.

All dimensions shown in inches.

4/12 © Bunn-O-Matic Corporation